

A family of spotlight fixtures based upon a sleek, understated central design; with a wealth of variants to suit differing needs within any installation.

- High quality cast and milled aluminium body.
- Multiple mounting options.
- Outputs up to 2698 lm*.
- Efficiency up to 83.53 lm/W*.
- CRI up to 97 (Ra).
- Choice of beam angles and colour temperatures.
- Polymer lens technology.
- Extra low glare thanks to recessed optics.
- Built-in or external drivers depending on model.
- DALI and non-dim control options.
- Emergency versions available.
- Fully CE compliant.

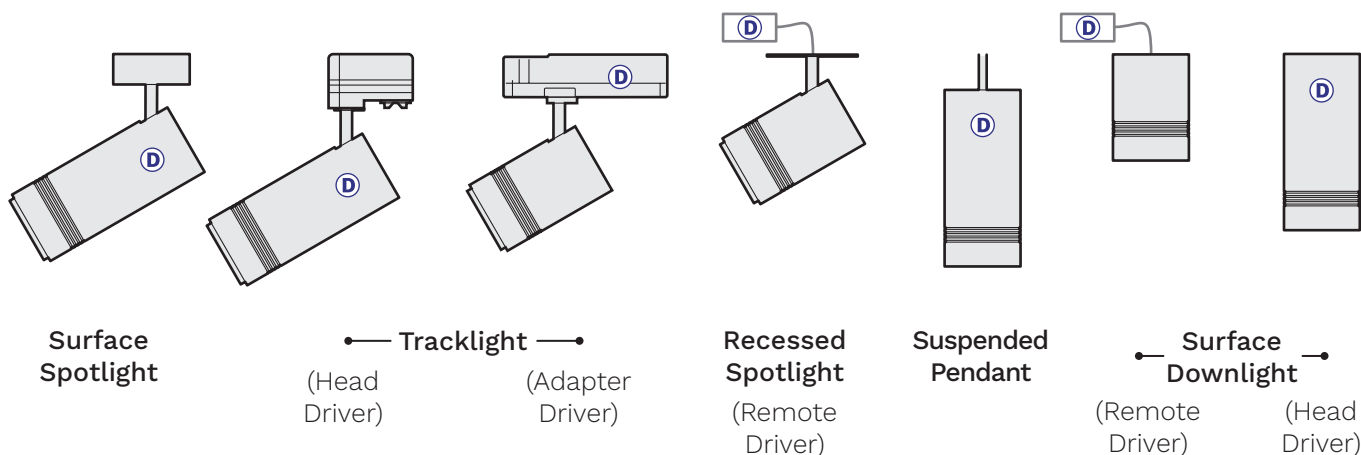
** (2K Suspended
Pendant model @
4000K, 61°, 90 CRI)*



Please see:

- Pages 3 and 4 for light output tables.
- Pages 5 and 6 for polar charts.

Multiple mounting options



D Indicates location of the driver

Order options

Range	Family	Variant	Size/Wattage	CCT/CRI	Beam angle	Driver	Main colour
Reality	Alundra	Surface Spotlight	1K / 14.2W	2700K	15 degrees to 61 degrees	DALI Non-dim	Black White Grey
		Tracklight (Head Driver)	2K / 32.3W	3000K			
		Tracklight (Adapter Driver)		4000K			
		Recessed Spotlight					
		Suspended Pendant		90 CRI			
		Surface Downlight (Remote Driver)		97 CRI			
		Surface Downlight (Head Driver)					

Note: Emergency (-EM) variants available upon request.

Specifications

	1K (Ø75mm)	2K (Ø87mm)
Input voltage	220-240VAC 50/60Hz	220-240VAC 50/60Hz
Input power	14.2W	32.3W
LED FV current	350mA @ 34V	800mA @ 34V
Colour temperatures	2700K, 3000K or 4000K (others on special request)	2700K, 3000K or 4000K (others on special request)
CRI (Ra)	>90	>90
SDCM	2-step MacAdam ellipse	2-step MacAdam ellipse
UGR	<19	<19
Maximum temperature (t _a)	+40°C	+40°C
Lifetime	55,000 hours (L ₉₀)	55,000 hours (L ₉₀)
IP rating	IP20	IP20
Driver options	DALI, non-dim	DALI, non-dim
Warranty	5 years	5 years
Body finish	White, black or grey (other RAL colours on special request)	White, black or grey (other RAL colours on special request)



Light output table - 1K models

	Beam angle	Power input	CCT	Output (lm)	Efficacy (lm/W)	Output (lm)	Efficacy (lm/W)
● ● ● ○ ○	15°	14.2W	2700K	785	55.28	703	49.51
	15°	14.2W	3000K	817	57.54	731	51.48
	15°	14.2W	4000K	829	58.38	750	52.82
○ ○ ○ ● ●	15°	14.2W	2700K	814	57.32	729	51.34
	15°	14.2W	3000K	845	59.51	758	53.38
	15°	14.2W	4000K	860	60.56	778	54.79
● ● ● ○ ○	20°	14.2W	2700K	1205	84.86	1079	75.99
	20°	14.2W	3000K	1255	88.38	1123	79.08
	20°	14.2W	4000K	1273	89.65	1152	81.13
○ ○ ○ ● ●	20°	14.2W	2700K	1204	84.79	1079	75.99
	20°	14.2W	3000K	1250	88.03	1121	78.94
	20°	14.2W	4000K	1272	89.58	1150	80.99
● ● ● ○ ○	26°	14.2W	2700K	1131	79.65	1013	71.34
	26°	14.2W	3000K	1175	82.75	1053	74.15
	26°	14.2W	4000K	1195	84.15	1081	76.13
○ ○ ○ ● ●	26°	14.2W	2700K	1160	81.69	1039	73.17
	26°	14.2W	3000K	1205	84.86	1081	76.13
	26°	14.2W	4000K	1226	86.34	1109	78.10
● ● ● ○ ○	43°	14.2W	2700K	926	65.21	829	58.38
	43°	14.2W	3000K	961	67.68	862	60.70
	43°	14.2W	4000K	977	68.80	884	62.25
○ ○ ○ ● ●	45°	14.2W	2700K	1009	71.06	903	63.59
	45°	14.2W	3000K	1048	73.80	940	66.20
	45°	14.2W	4000K	1066	75.07	964	67.89
● ● ● ○ ○	55°	14.2W	2700K	926	65.21	866	60.99
	55°	14.2W	3000K	1005	70.77	901	63.45
	55°	14.2W	4000K	1022	71.97	924	65.07
○ ○ ○ ● ●	55°	14.2W	2700K	1062	74.79	951	66.97
	55°	14.2W	3000K	1103	77.68	989	69.65
	55°	14.2W	4000K	1122	79.01	1015	71.48

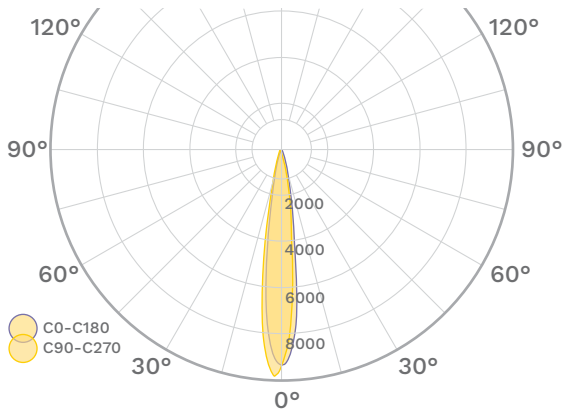
Light output table - 2K models

	Beam angle	Power input	CCT	Output (lm)	Efficacy (lm/W)	Output (lm)	Efficacy (lm/W)
● ● ● ○ ○	17°	32.3W	2700K	2039	63.13	1471	45.54
	17°	32.3W	3000K	2124	65.76	1530	47.37
	17°	32.3W	4000K	2142	66.32	1569	48.58
○ ○ ○ ● ●	17°	32.3W	2700K	2111	65.36	1587	49.13
	17°	32.3W	3000K	2203	68.20	1526	47.24
	17°	32.3W	4000K	2222	68.79	1627	50.37
● ● ● ○ ○	19°	32.3W	2700K	2349	72.72	1696	52.51
	19°	32.3W	3000K	2448	75.79	1763	54.58
	19°	32.3W	4000K	2469	76.44	1808	55.98
○ ○ ○ ● ●	19°	32.3W	2700K	2500	77.40	1880	58.20
	19°	32.3W	3000K	2500	77.40	1807	55.94
	19°	32.3W	4000K	2631	81.45	1927	59.66
● ● ● ○ ○	54°	32.3W	2700K	2187	67.71	1579	48.89
	54°	32.3W	3000K	2279	70.56	1642	50.84
	54°	32.3W	4000K	2299	71.18	1683	52.11
○ ○ ○ ● ●	54°	32.3W	2700K	2447	75.76	1840	56.97
	54°	32.3W	3000K	2554	79.07	1769	54.77
	54°	32.3W	4000K	2576	79.75	1887	58.42
● ● ● ○ ○	58°	32.3W	2700K	2249	69.63	1623	50.25
	58°	32.3W	3000K	2343	72.54	1688	52.26
	58°	32.3W	4000K	2363	73.16	1731	53.59
○ ○ ○ ● ●	61°	32.3W	2700K	2563	79.35	1927	59.66
	61°	32.3W	3000K	2675	82.82	1853	57.37
	61°	32.3W	4000K	2698	83.53	1976	61.18

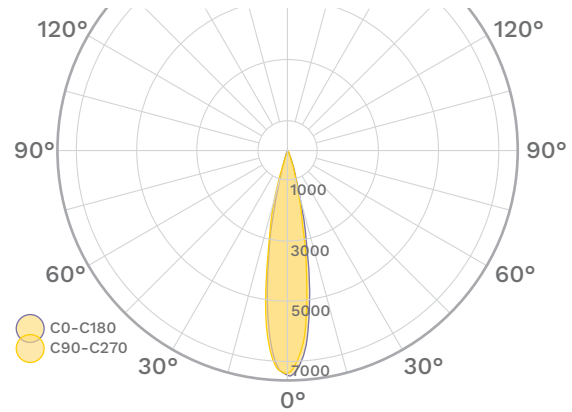
Polar charts - 1K models

All charts measured at 3000K colour temperature with 14.2W emitters @ 90CRI

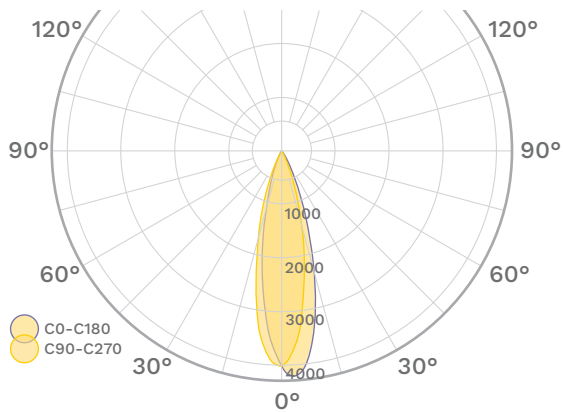
Alundra 1K 15°



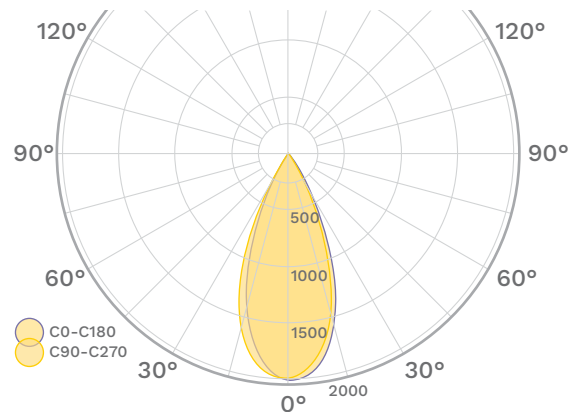
Alundra 1K 20°



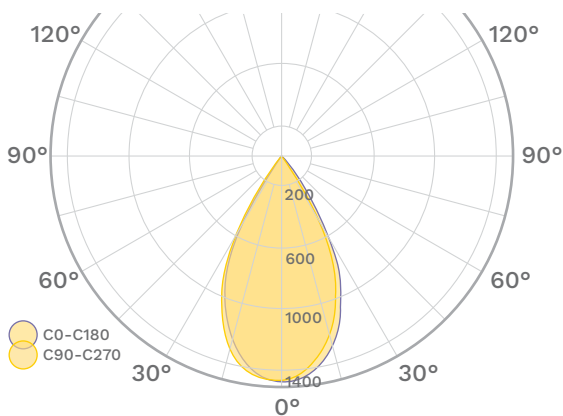
Alundra 1K 26°



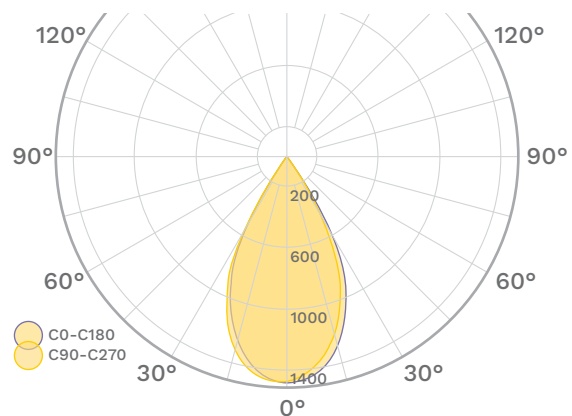
Alundra 1K 43°



Alundra 1K 45°



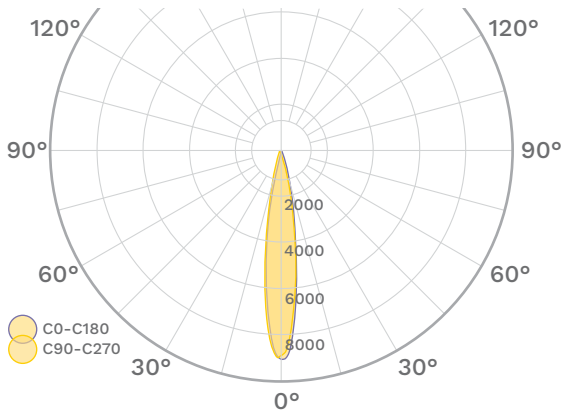
Alundra 1K 55°



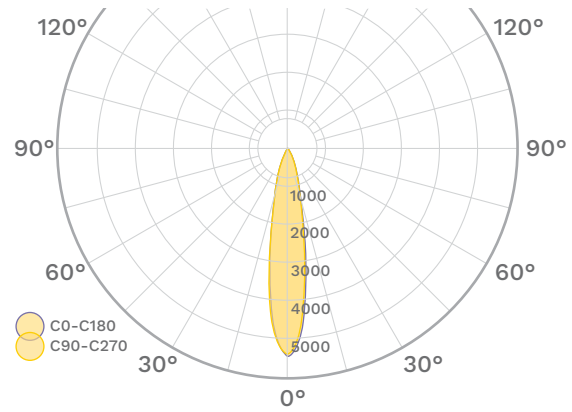
Polar charts - 2K models

All charts measured at 3000K colour temperature with 32.3W emitters @ 90CRI

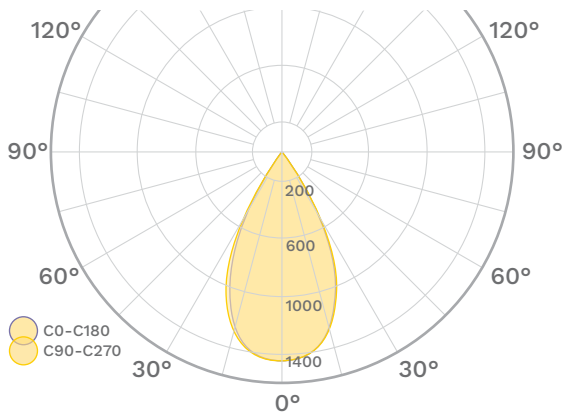
Alundra 2K 17°



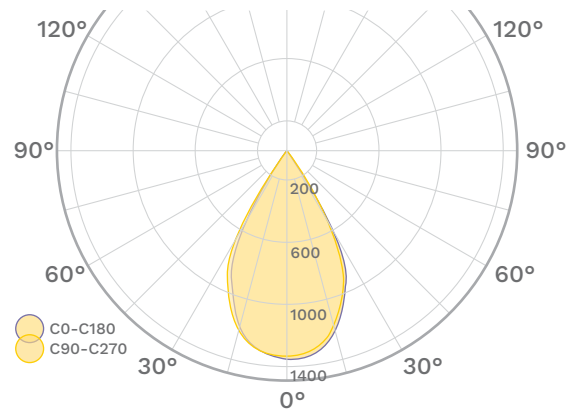
Alundra 2K 19°



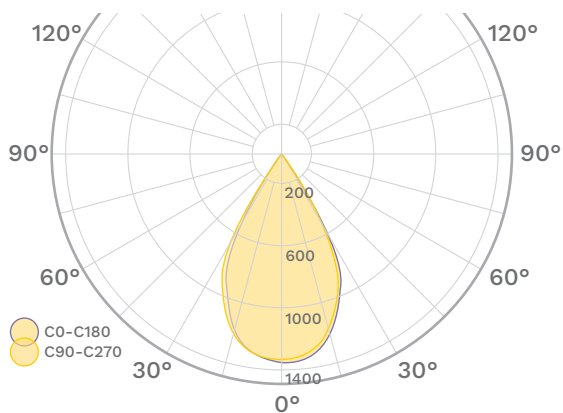
Alundra 2K 54°



Alundra 2K 58°

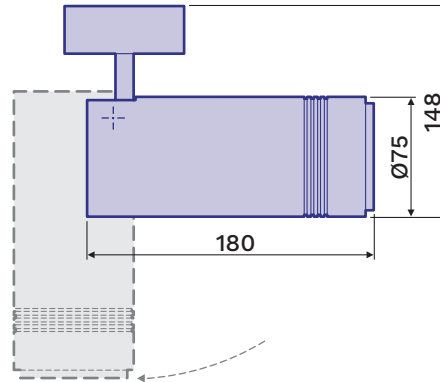


Alundra 2K 61°



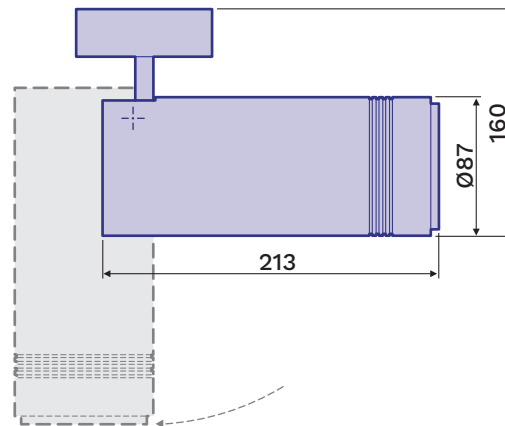
Model images and dimensions

Surface Spotlight - 1K



Beam angles:
15, 20, 26, 43 or 55°

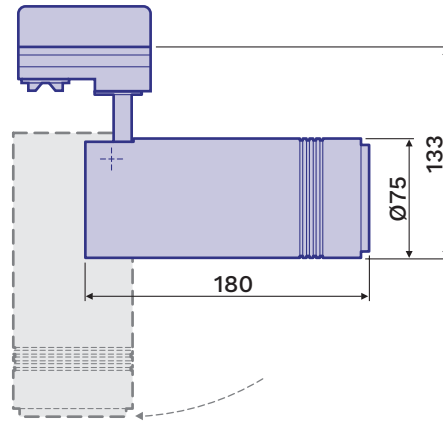
Surface Spotlight - 2K



Beam angles:
17, 19, 54 or 58°

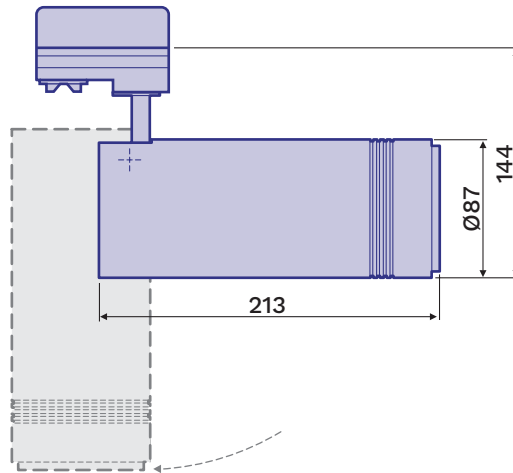
Model images and dimensions

Tracklight (Head Driver) - 1K



Beam angles:
15, 20, 26, 43 or 55°

Tracklight (Head Driver) - 2K



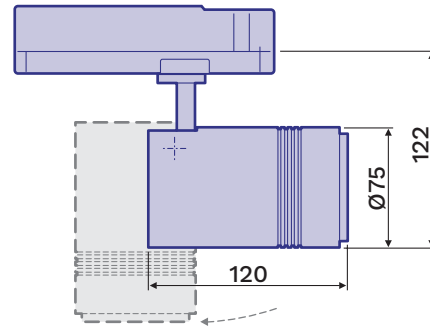
Beam angles:
17, 19, 54 or 58°

Model images and dimensions

Tracklight (Adapter Driver) - 1K



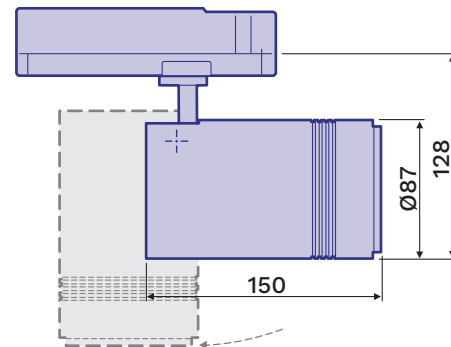
Beam angles:
15, 20, 26, 43 or 55°



Tracklight (Adapter Driver) - 2K

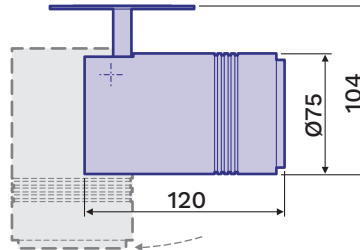


Beam angles:
17, 19, 54 or 58°



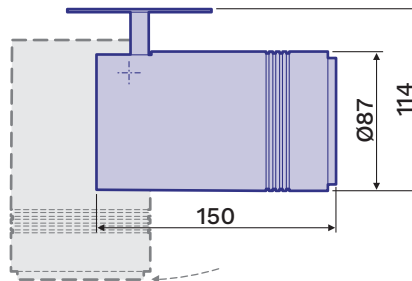
Model images and dimensions

Recessed Spotlight - 1K



Beam angles:
15, 20, 26, 43 or 55°

Recessed Spotlight - 2K

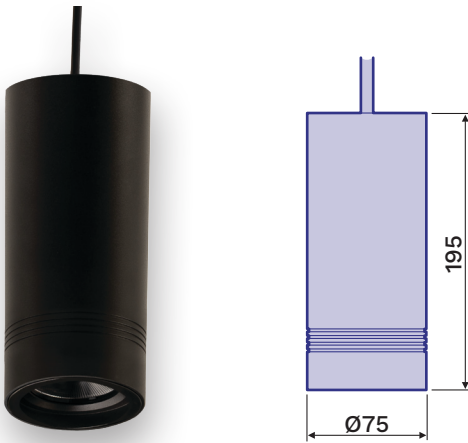


Beam angles:
17, 19, 54 or 58°

Model images and dimensions

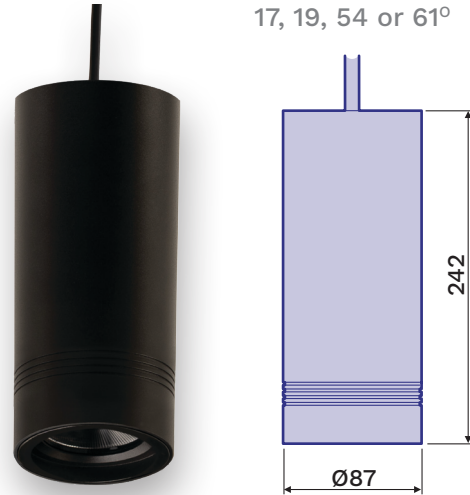
Suspended Pendant - 1K

Beam angles:
15, 20, 26, 45 or 55°



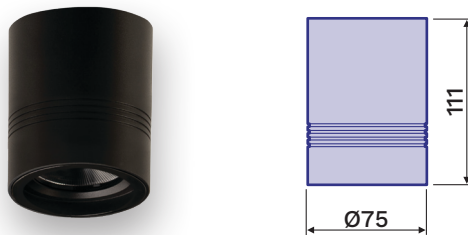
Suspended Pendant - 2K

Beam angles:
17, 19, 54 or 61°



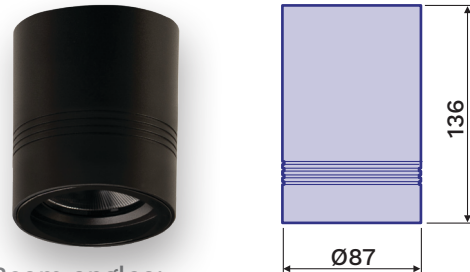
Downlight (Remote Driver) - 1K

Beam angles:
15, 20, 26, 45 or 55°



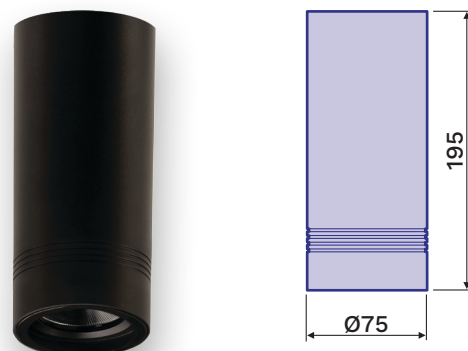
Downlight (Remote Driver) - 2K

Beam angles:
17, 19, 54 or 61°



Downlight (Head Driver) - 1K

Beam angles:
15, 20, 26, 45 or 55°



Downlight (Head Driver) - 2K

Beam angles:
17, 19, 54 or 61°

