

# Quasar 1K RGBW, Recessed Adjustable, 15W

Model No: TBC

DATASHEET

## Introduction

A 15W recessed mounted RGBW downlight. This luminaire can be driven by a 4-Channel constant current LED Driver.

## Key features

- 15/24/36/60° Beam options
- 420lm total white output @ 700mA
- >90 CRI
- IP20
- SDCM < 3
- UGR < 19
- CE compliant
- Black/white/custom powder coat finish



## Specifications

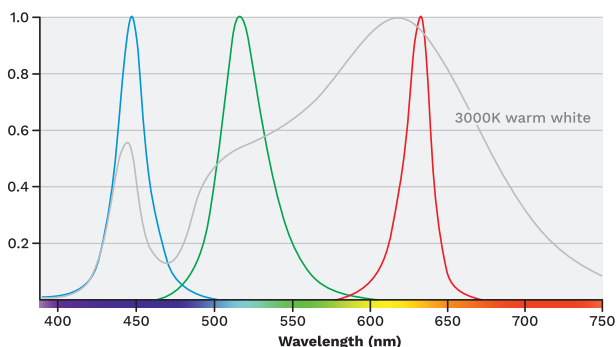
Fitting Type	Recessed Downlight
Size	80mm Height x 110mm Diameter
Approximate Weight (g)	700
Beam Angle (°)	15/24/36/60
Optics	Solid Polymer
Finish	Black/White/Custom Powder Coat
IP Rating	IP20
Operating Temp (°C)	-20 to +75
Lifetime (L80)	L80@50,000
Hole Cut-Out (ø)	95-100mm
Tilt Angle (°)	± 27

Colour	Forward Voltage (Vf)	Drive Current (If, mA, max.)	Max. Power (W)
Red	8	700	5.6
Green	12	700	8.4
Blue	12	700	8.4
White	12	700	8.4

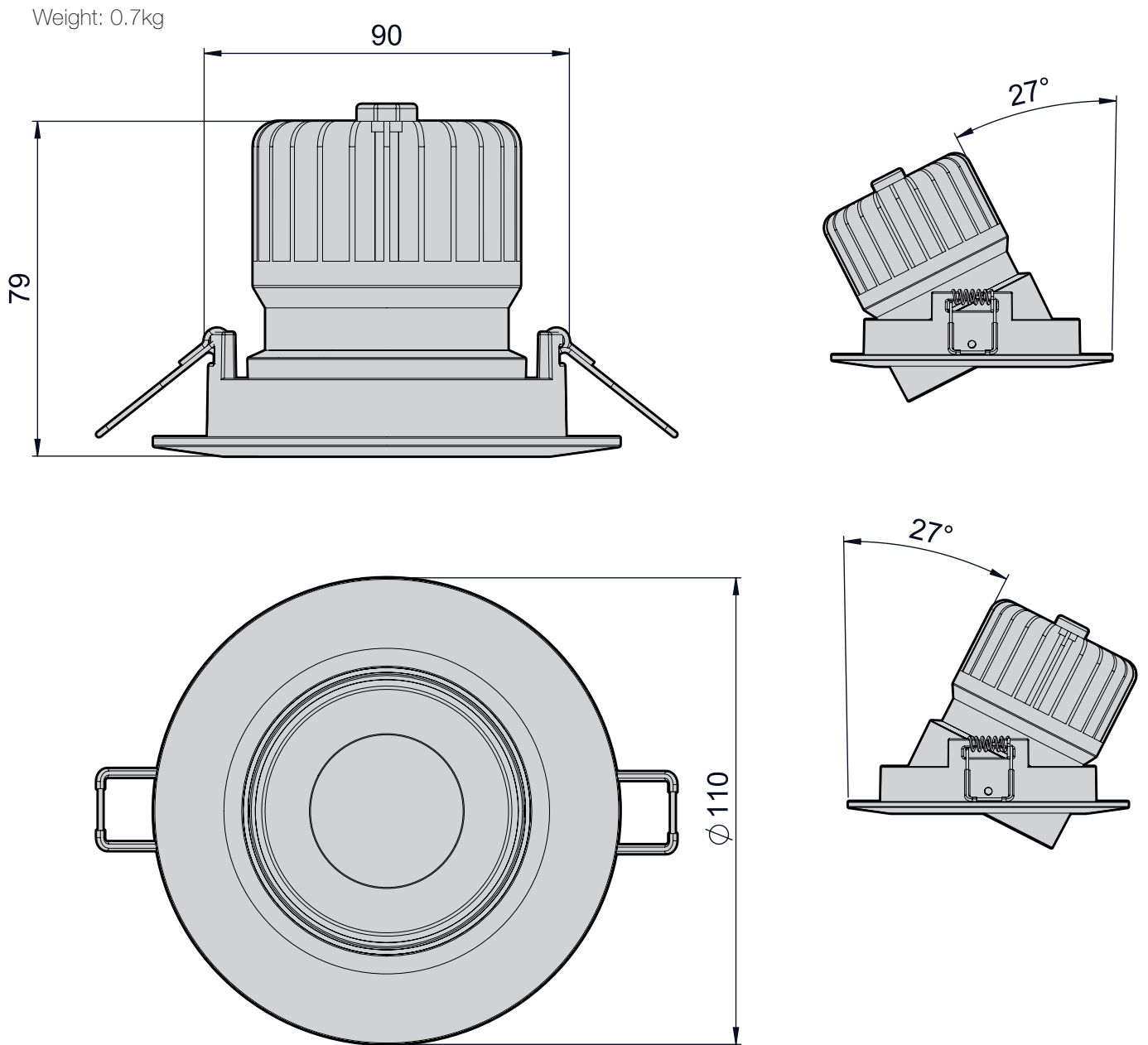
Colour Temperature (K)	3000
Colour Rendering Index	>90
Total Power Max (W)	15
Lumen Output White (lm)	420
Lumen Efficacy White (lm/w)	50

\* Total maximum output power must not exceed 15W due to heat-sink limitations

## Relative Spectral Distribution



## Dimensions



## Connection

### RJ45 connector (channels 1 to 4)

- |           |           |
|-----------|-----------|
| 1 Red +   | 5 Blue +  |
| 2 Red -   | 6 Green - |
| 3 Green + | 7 White + |
| 4 Blue -  | 8 White - |



**WARNING:** Do not connect any networking equipment to the RJ45 input connector.

Specifications are subject to change without notice.